

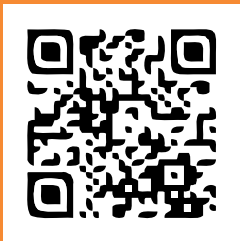


CSL

CUTHBERT STEWART LIMITED

Featured inside:

- CSL pays tribute to the Re: Start Mall at ESITO 2013
- High pollution solution from AK Power
- Mobile Substation hits the road for Murchison
- CSL and Chemz bring Blue Lube to Utility customers
- Utility linemen around the World trust LUG-ALL® hoists
- CSL goes Pink for a Day



Scan QR Code to visit our website.

Nexan's terminations fit the bill at Balmoral Substation

The Nexans Euromold range of AIN/AFN 'push-on' type cold applied terminations provide significant benefits especially in situations where space is at a premium or when using a gas torch is just not practical. Available in 11, 22 & 33kV voltages with sizes up to 1000mm² these compact and quick to install terminations are perfect for any polymeric cable installation. Recently installed at Balmoral substation in Auckland they were ideally suited for the tight dimensions in the cable box especially on the 33kV side of the transformer where termination length was critical. The terminations can be installed using compression type lugs or most commonly the Nexans GPH shearbolt lugs which are available up to 1000mm². A simple push-on silicon sealing sleeve is used to provide sealing of the lug.

Features:

- Very compact design
- No gas torch required
- Quick to install
- One piece design

Cable preparation is very similar to other types of termination design but once the cable has been prepared, the termination just pushes tightly on. Stress control is moulded into the termination making it a one piece design and there is no need for a gas torch and no spiral hold-out to dispose of as with other cold applied designs.



^ 33kV Terminations on 800mm² Cable. A lug sealing sleeve will complete the terminations.

< 11kV Completed Terminations.

CSL pays tribute to the Re: Start Mall at ESITO 2013

For the first time this year's ESITO Line Mechanics Competition was held in Christchurch, at Wigram Air Force Base Museum. Many of the competing companies supplied personnel in the post-quake electrical network repairs. This year's event holds special meaning to all those involved and especially to people based in Christchurch. In recognition of the Re:Start mall's achievement in bringing together businesses after the quakes Cuthbert Stewart Limited, Hamer Ltd and New Zealand Insulators Limited (NZI) joined forces to create their own version of the Re: Start mall at Wigram. Between these three New Zealand owned companies there is 229 years of electrical supply industry experience. Paul Lonsdale, Manager of the Restart the Heart Trust, supported the initiative and enjoyed seeing another cluster of containers with the Re:START Heart in operation.

CSL was the proud sponsor of the Trench Recovery event, which was won by Steve Bright from Connectics.



Mobile Substation hits the road for Murchison

The new 15mW portable substation designed by Mitton Electronet and built by Electronet was recently completed and transported from the Stoke, Nelson Substation to be deployed for its first assignment at Murchison. The main trailer unit is 25m long and weighs in at 89 tonne, the second unit carrying the switchgear is shorter and lighter.

Phil Gardyne – Project Manager at Electronet Services summarised the project saying :

“Part of the design for the mobile substation specified Euromold products for cable terminations. ElectroNet called on the services of Kevin Mercer from CSL to assist with the specification of the cable connection types, supply and installation.

During the construction period, various changes were made to the design and CSL were called on to supply alternate options and additional parts. Often these changes required creative thinking and responsive action. CSL's service was second to none and when required were able to source components from overseas manufactures within days. Kevin's knowledge and experience was called on at various stages of construction to assist the team in providing a high quality product to the customer.”



^ Large trailer outside Stoke substation.



The product of choice to join the 2 units together and give surge protection was Euromold screened elbows and surge arrestors supplied by CSL. These have been used along with EPR flexible cable allowing relatively easy disconnection and the ability for the cables to be rolled onto the drums on each trailer.



Smaller trailer that > was relocated to Murchison.

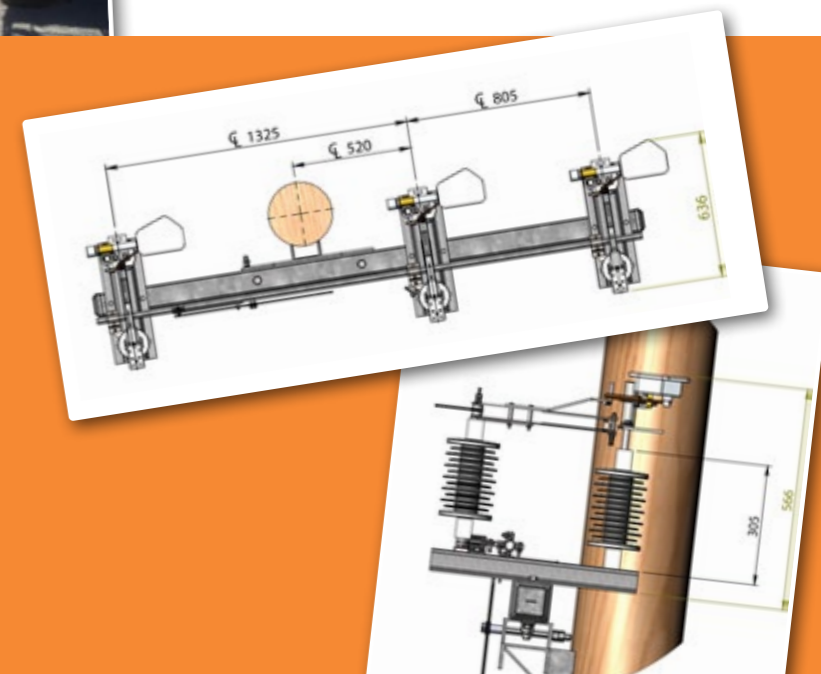
High pollution solution from... AK POWER

AK Power Solutions can draw on considerable knowledge, experience and manufacturing capability to provide tailored, engineered, packaged solutions to meet customers' needs across a broad spectrum of their operations and thus add considerable value to their business.

New Zealand has a large coastal area affected by salt pollution as well as the occurrence in some areas of subterranean release of gases such as Hydrogen Sulfide(H₂S). As a result, an opportunity arose for AKPS to develop a special stainless steel version of their 11-24KV Air Break Switch (ABS). This was initially

aimed to address typical issues at H₂S affected areas such as Taupo, but will show its worth in other coastal high pollution areas.

AKPS can offer EMC hybrid insulators with 50 year plus life expectancy on most of their range and EMC have also developed a pole mounted DDO that has been ruggedized for NZ specific harsh environments. This ruggedized version has stainless steel hardware and is currently under test in one of NZ's harshest coastal environments.



CSL and Chemz bring Blue Lube to Utility Customers...

CSL is proud to have partnered with fellow kiwi company Chemz, to distribute their Blue Lube cable pulling lubricant. Blue Lube is a high performance water soluble polymer gel lubricant specifically designed to facilitate smooth pulling of electrical and communications wires and cables.

- Excellent friction reduction for all pulling applications
- High cling factor
- Compatible with a wide range of cable jackets and conduits
- Safe for user and environment
- Contains bactericides to maintain product integrity
- Non toxic, non flammable, biodegradable.



Utility linemen around the World trust LUG-ALL® hoists

Web strap ratchet lever hoists from LUG-ALL® are specifically designed for overhead maintenance and construction of energized lines. Since the 1960's, LUG-ALL® web strap pullers have been the choice for linemen throughout the world.

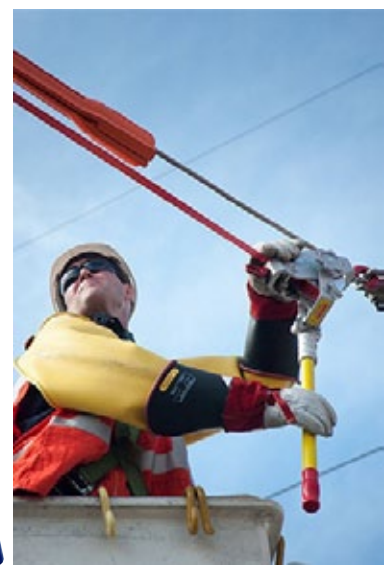
Whether you repair power lines in New Zealand, Europe or North America, you've probably used a LUG-ALL® Lineman's Hoist. Virtually every feature on these web strap pullers has been customer driven.

- 40 Models: 1 to 2 Ton, up to 15'-4" pull distances
- Gentle on rubber gloves! Super smooth hoist bodies
- Exclusive overload & tool protection with replaceable stress link
- Convertible Hoists: all parts are on tool for switching from 2 lines to 1 line
- The smoothest ratcheting hoists available, thanks to CNC-built accuracy

Selecting The Right Industrial Hoist

All LUG-ALL® premium industrial hoists are light-in-weight, unbelievably durable, and smooth ratcheting due to their precision, CNC-driven manufacturing.

LUG-ALL® invented the double interlocking pawls system for hoists, assuring that you have safe, precise load handling.



CSL goes Pink for a Day

In support of the New Zealand Cancer Foundation CSL went "Pink for a Day" in October 2013.

Peter Foulds and Craig Henderson part of CSL's South Island team took up the challenge, helping to raise money for this good cause.

